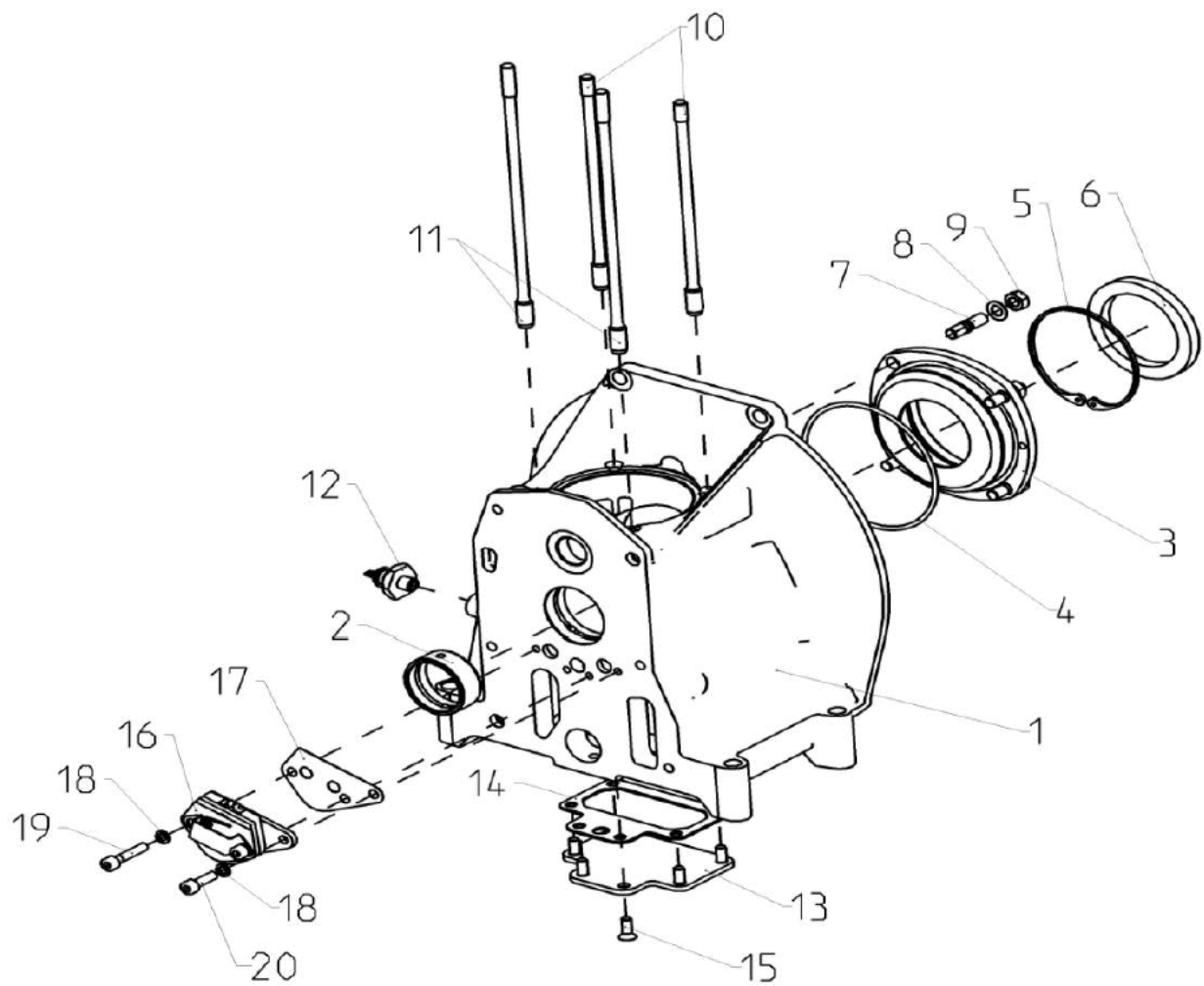
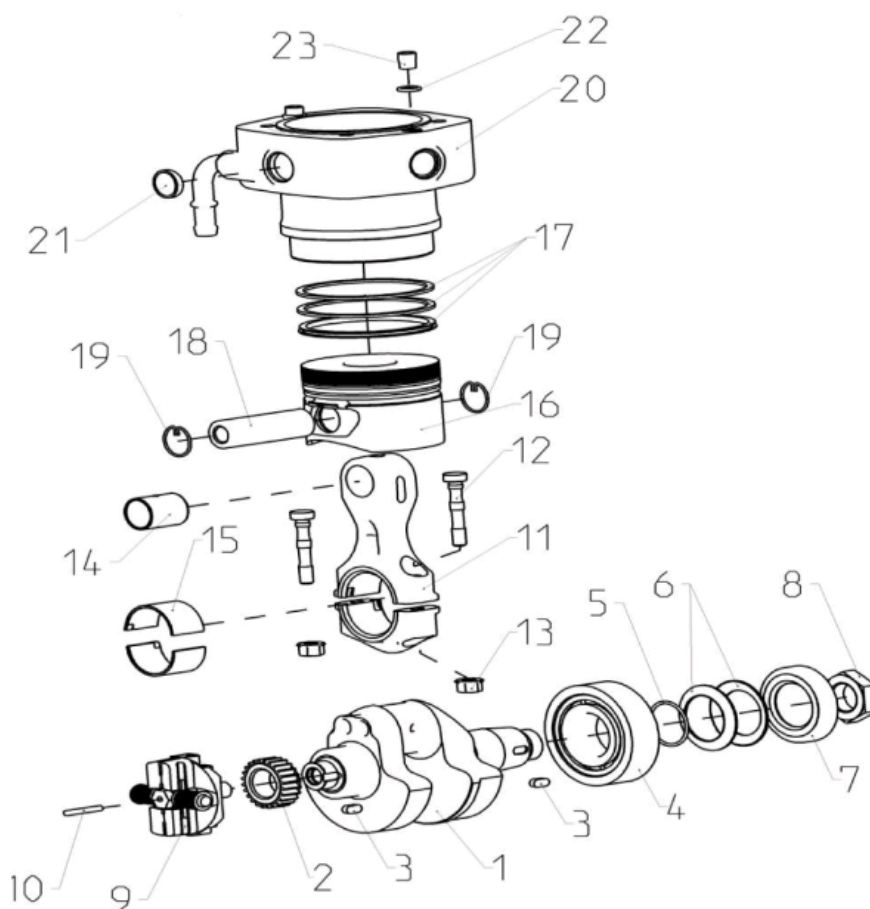


Farymann Diesel



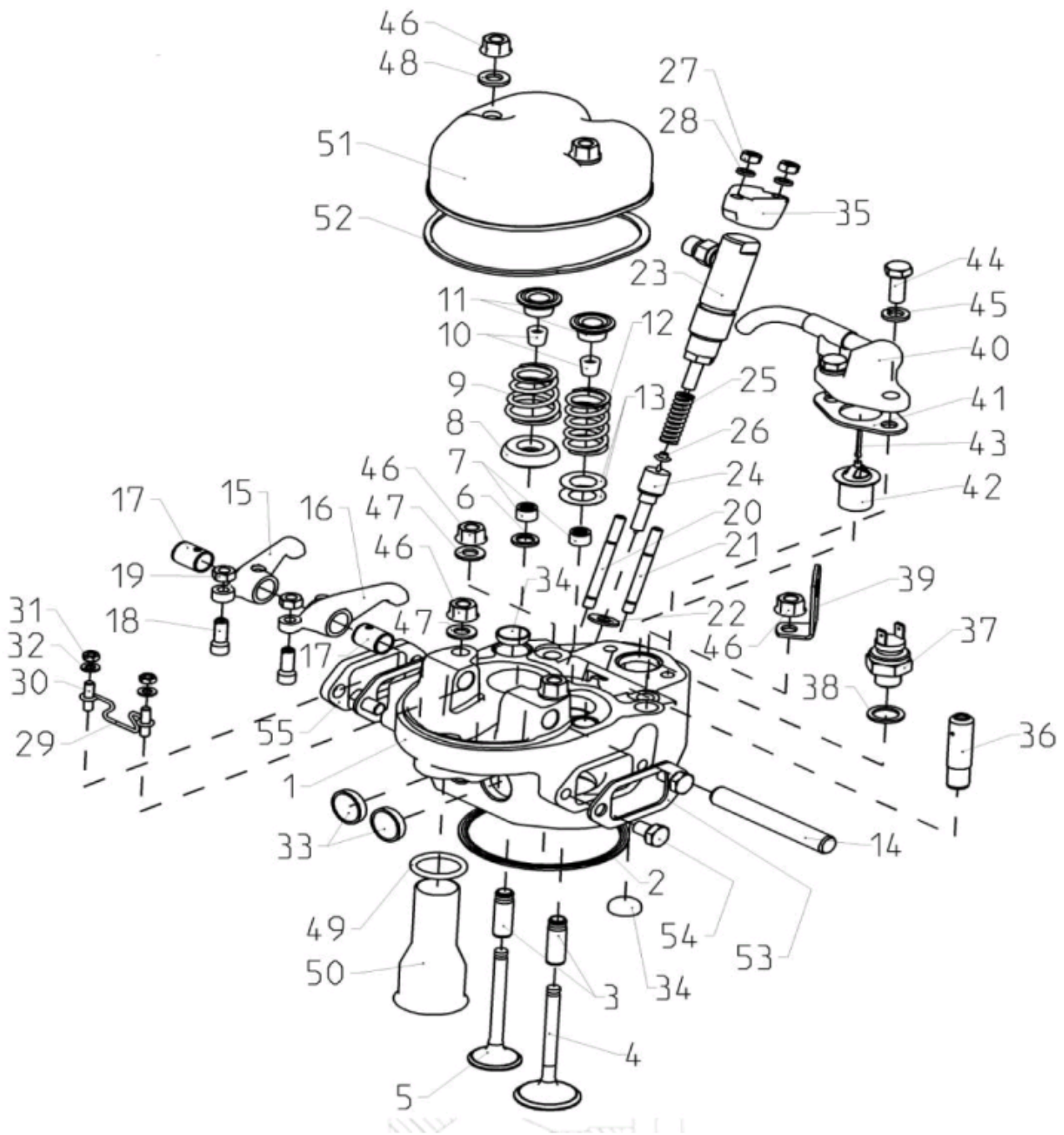
N°	Réf.	Description FR	Description ENG	Qté
1	FA7111294	BLOC MOTEUR	CRANKCASE	1
2	FA7750324	COUSSINET DE PALIER PRINCIPAL	MAIN BEARING BUSH	1
3	FA7270514	COUVERCLE DE PALIER	BEARING COVER	1
4	FA8500214	JOINT TORIQUE 99X3	O-RING 99X3	1
5	FA8902023	BAGUE DE RETENUE 80X2.5	RETAINING RING 80X2.5	1
6	FA8905957	JOINT SPI 60X80X8	OIL SEAL 60X80X8	1
7	FA5120904	GOUJON	STUD	4
8	FA8906603	RONDELLE DE BLOCAGE DENTEE	SERRATED LOCK WASHER	4
9	FA8903805	ECROU HEXAGONAL M8	HEXAGON NUT M8	4
10	FA5120884	GOUJON (CYLINDRE MTG)	STUD (CYLINDER MTG)	2
11	FA5120894	GOUJON (CYLINDRE MTG)	STUD (CYLINDER MTG)	2
12	FA2370132	PRESSOSTAT D'HUILE 1 POLE	OIL PRESSURE SWITCH 1-POLE	1
13	FA9171504	COUVERTURE	COVER	1
14	FA7702954	JOINT	GASKET	1
15	FA8909502	VIS HD M6X16	SCREW HD C.S M6X16	6
16	FA7240446	POMPE A HUILE	OIL PUMP	1
17	FA7701674	JOINT	GASKET	1
18	FA8907802	RONDELLE RESSORT 6	SPRING WASHER 6	2
19	FA9+03131	VIS A DOUILLE M6X30	SOCKET CAP SCREW M6X30	2
20	FA8903106	VIS A DOUILLE M6X20	SOCKET CAP SCREW M6X20	1

Farymann Diesel



N°	Réf.	Description FR	Description ENG	Qté
1	FA7150754	VILEBREQUIN	CRANKSHAFT	1
2	FA4520794	ENGRENAGE DROITE	SPUR GEAR	1
3	FA8906802	CLE DE RACCORD A6X4X12	FITTING KEY A6X4X12	2
4	FA8000252	ROULEMENT A ROULEAUX CYLINDRIQUE	CYLINDER ROLLER BEARING	1
5	FA8500104	JOINT TORIQUE 32X2	O-RING 32X2	1
6	FA8040064	RONDELLE BELLEVILLE 52X36X1.2	BELLEVILLE WASHER 52X36X1.2	2
7	FA5190344	ROULEMENT A BILLES	BALL RACE BEARING	1
8	FA5140444	ÉCROU DE VOLANT D'INERTIE	FLYWHEEL NUT	1
9	FA5402671	GOVERNEUR N=3100 ^E	GOVERNOR N=3100 ^E	1
10	FA8906106	BROCHE 4X27.8	PIN 4X27.8	1
11	FA7260335	BIELLE	CONNECTING ROD	1
12	FA5100164	BOULON DE BIELLE	CONNECTING ROD BOLT	2
13	FA5140374	ÉCROU DE COLLIER	COLLAR NUT	2
14	FA4651554	DOUILLE D'AXE DE PISTON	PISTON PIN BUSHING	1
15	FA4700084	COQUE DE ROULEMENT	BEARING SHELL	1
16	FA7251018	ASSEMBLAGE DU PISTON	PISTON ASSEMBLY	1
17	FA5351421	JEU DE SEGMENTS DE PISTON	PISTON RING SET	1
18	FA4180144	AXE DE PISTON	PISTON PIN	1
19	FA8909101	GOUPILLE DE PISTON DE VEROUILLAGE A22X1.5	LOCK-PISTON PIN A22X1.5	2
20	FA7290496	CYLINDRE AVEC COUDE 90°	CYLINDER WITH ELBOW 90°	1
21	FA8901705	BOUCHON D'ETANCHEITE A ENCASTRER 22MM	SEALING PUSH-IN CAP 22MM	4
22	FA8500044	JOINT TORIQUE 10X2.2	O-RING 10X2.2	2
23	FA9600544	TUYAU DE TRANSFERT D'EAU	WATER TRANSFER PIPE	2

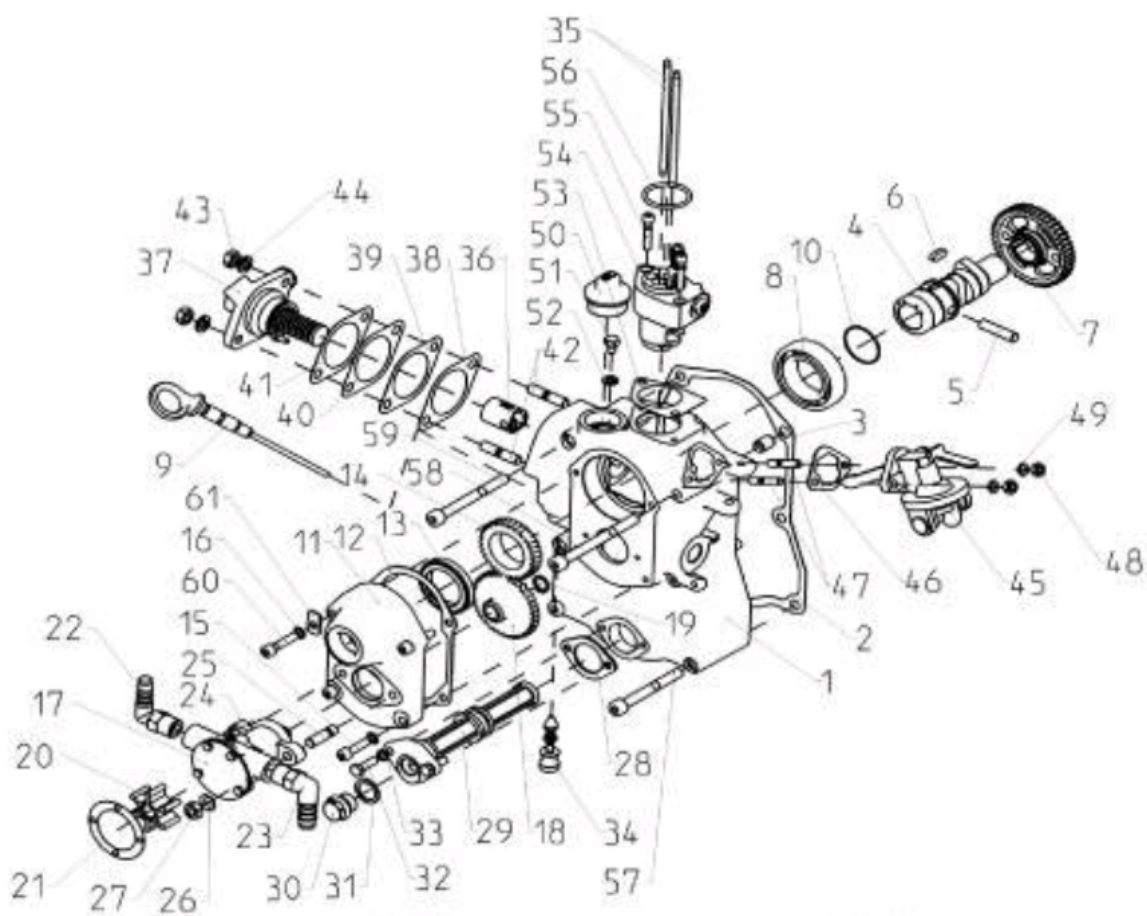
Farymann Diesel



N°	Réf.	Description FR	Description ENG	Qté
1	FAE7311928	CULASSE COMPLETE	CYLINDER HEAD ASSEMBLY	1
2	FA7710284	JOINT DE CULASSE 1.3MM	CYLINDER HEAD GASKET 1,3MM	1
3	FA4260184	GUIDE DE SOUPE	VALVE GUIDE	2
4	FA4270304	SOUPE D'ADMISSION	VALVE CONE	1
5	FA4271064	VANNE DE VIDANGE	VALVE CONE	1
6	FA5212444	ANNEAU	RING	1
7	FA8610054	JOINT SUR TIGE DE VANNE	VALVE STEAM GASKET 80803	2
8	FA5550012	SOUPE A COUVERCLE ROTATIVE	ROTOCAP-VALVE	1
9	FA8050474	RESSORT DE SOUPE D'ECHAPPEMENT	PRESSURE SPRING	1
10	FAE5270024	CONE DE VALVE	VALVE COTTER	2
11	FA5310054	RESSORT	SPRING RETAINER	2

12		RESSORT DE SOUPAPE D'ADMISSION	PRESSURE SPRING	1
13	FA9270154	RONDELLE	WASHER	2
14	FA4150824	ARBRE DE CULBUTEUR	SHAFT ROCKER ARM	1
15	FA6330584	BASCULE D'ECHAPPEMENT	EXHAUST ROCKER	1
16	FA6330574	BASCULE D'ASPIRATION	SUCTION ROCKER	1
17	FA7750424	BAGUE	BUSH	2
18	FA5130174	VIS DE REGLAGE	PRESSURE SCREW	2
19	FA8903804	ECROU HEXAGONAL M7	HEXAGON NUT M7	2
20	FA8904368	GOUJON M6X55	STUD M6X55	1
21	FA8904366	GOUJON M6X50	STUD M6X50	1
22	FA8501964	JOINT	GASKET	1
23	FA5370041	INJECTEUR	NOZZLE HOLDER	1
24	FA5372082	PULVERISEUR	NOZZLE	1
25	FA5372212	RESSORT D'INJECTEUR	NOZZLE SPRING	1
26	FA5372142	AIGUILLE PRESSANTE	PRESSURE PIN	1
27	FA8903803	ECROU HEXAGONAL M6	HEXAGON NUT M6	2
28	FA8907802	RONDELLE RESSORT 6	SPRING WASHER 6	2
29	FA8070414	RESSORT	SPRING SHACKLE	1
30	FA8902801	GOUJON M5X10	STUD M5X10	2
31	FA8904702	ECROU HEXAGONAL M5	HEXAGON NUT M5	2
32	FA8900801	RONDELLE 5,3	WASHER 5.3	2
33	FA8901705	BOUCHON DE FERMETURE 22MM	SEALING PUSH-IN CAP 22MM	2
34	FA8901704	BOUCHON DE FERMETURE 18MM	SEALING PUSH-IN CAP 18MM	2
35	FA9280454	BRIDE	FLANGE	1
36	FA7120725	PURGEUR	OUTLET VALVE	1
37	FA5551482	CAPTEUR DE TEMPERATURE 2 POLES	TEMPERATURE SWITCH 85°2-POL	1
38	FA8907419	JOINT CUIVRE A14X20X1,5	COPPER WASHER A14X20X1.5	1
39	FA9240074	PLAQUE DE SUSPENSION	SUSPENSION PLATE	1
40	FA9823535	COUVERCLE DE CONNEXION	CONNECTING PIECE	1
41	FA7701084	JOINT	GASKET	1
42	FA5550032	THERMOSTAT 50°C	THERMOSTAT 50°C	1
43	FA8900703	BROCHE D'ARRET 2X16	SPLINT 2X16	1
44	FA8903719	VIS HEXAGONALE M8	HEXAGON SCREW M8	2
45	FA8901006	RONDELLE RESSORT B8	SPRING WASHER B8	2
46	FA5140374	ECROU DE COLLIER	COLLAR NUT	6
47	FA8900804	RONDELLE A 8.4	WASHER A 8.4	3
48	FA8900815	RONDELLE 8.4X17X2	WASHER 8.4X17X2	2
49	FA8500644	JOINT TORIQUE 24X3.5	O-RING 24X3.5	1
50	FA9210354	TUBE DE PROTECTION DE SOUPAPE	PROTECTIVE PIPE	1
51	FA6510324	COUVERCLE DE SOUPAPE	VALVE HOOD	1
52	FA7701424	JOINT	GASKET	1
53	FA7701584	JOINT	GASKET	2
54	FA8903716	VIS HEXAGONALE M8	HEXAGON SCREW M8	4
55	FA9280964	BRIDE	FLANGE	1

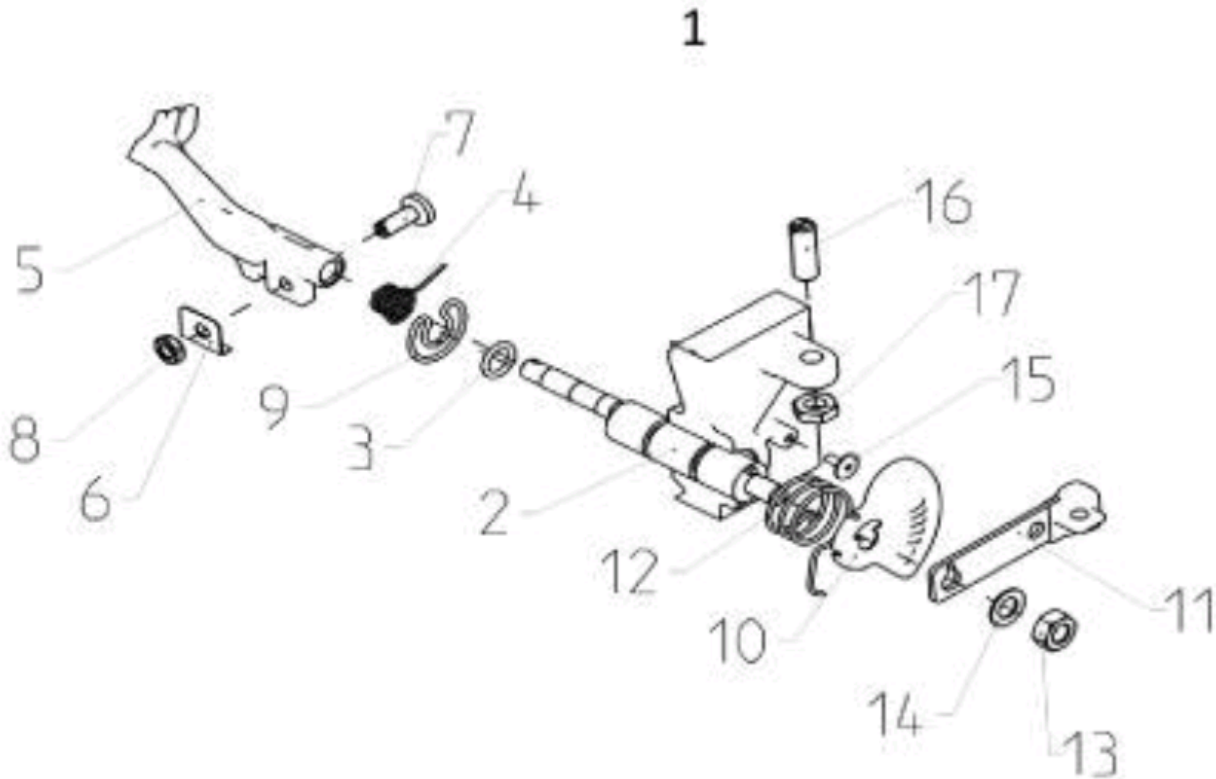
Farymann Diesel



N°	Réf.	Description FR	Description ENG	Qté
1	FA7180794	CARTER DISTRIBUZIONE	TIMING CASE	1
2	FA7701454	GUARNIZIONE	GASKET	1
3	FA8907202	FERMO	SPLIT PIN 10X16	2
4	FA7211155	ALBERO A CAMME	CAMSHAFT	1
5	FA4151054	BULLONE	BOLT	1
6	FA8906845	CHIAVETTA A6X4X14	FITTING KEY A6X4X14	1
7	FA4520854	INGRANAGGIO	SPUR GEAR	1
8	FA8902504	CUSCINETTO 6007	GROOVED BALL BEARING 6007	1
9	FA7621065	ASTINA OLIO	OIL DIPSTICK	1
10	FA8500884	O-RING 32.7X1.3	O-RING 32.7X1.3	1
11	FA6251474B	COPERCHIO CARTER	HOUSING COVER	1
12	FA8471214	GURNIZIONE	GASKET	1
13	FA8905956	PARAOLIO 34.8X50X7/7.5 W01	OIL SEAL 34.8X50X7/7.5 W01	1
14	FA4510414	INGRANAGGIO POMPA ACQUA	SPUR GEAR	1
15	FA8903107	VITE A BRUGOLA M6X25	SOCKET CAP SCREW M6X25	2
16	FA8906505	GUARNIZIONE J6.4	TOOTHED LOCK WASHER J6.4	4
17	FA5380141	POMPA ACQUA MARE	COOLING WATER PUMP	1
18	FA4510484	INGRANAGGIO POMPA ACQUA	SPUR GEAR	1
19	FA8901918	SEEGER 12X1	RETAINING RING 12X1	1
20	FA5382192	GIRANTE	IMPELLER	1
21	FA5382232	GUARNIZIONE	GASKET	1
22	FA9823232	RACCORDO 10/3/8	SCREW-IN FITTING WES 10/3/8	1
23	I1500CX13	CURVA A PORTAGOMMA M 3/8x13	BEND HOSE CONNECTION M 3/8x13	1

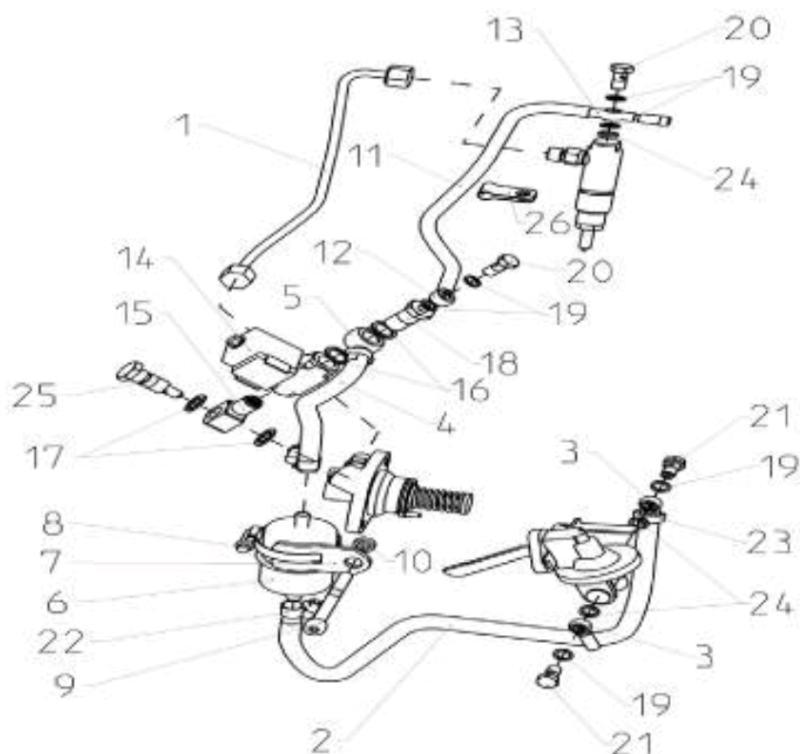
Farymann Diesel

24	I1500CX13	COUDE DE TUYAU M3/8X13	BEND HOSE CONNECTION M 3/8X13	1
25	FA8904211	GOUJON M8X20	STUD M8X20	2
26	FA890:11:05	RONDELLE DE RETENUE A8	LOCK WASHER A8	2
27	FA8903805	ECROU HEXAGONAL M8	HEXAGON NUT M8	2
28	FA7701684	JOINT	GASKET	1
29	FAE7340328	FILTRE A HUILE COMPLET	OIL FILTER ASSEMBLY	1
30	FA8903003	BOUCHON D'HUILE 3/8"	PLUG SCREW 3/8"	1
31	FA8907425	JOINT CUIVRE A17X23X1.5	COPPER WASHER A17X23X1.5	1
32	FA8903710	VIS HEXAGONALE M6X20	HEXAGON SCREW M6X20	2
33	FA8907404	JOINT CUIVRE A6X10X1.5	COPPER WASHER A6X10X1.5	2
34	FAE7140118	FACILITATEUR DE DEMARRAGE	PRIMER ASSEMBLY	1
35	FA4210514	TIGE DE POMPE	PUSH ROD	2
36	FA5363052	RACCORD DE POMPE D'INJECTION	ROLLER TAPPET	1
37	FA5360281	POMPE D'INJECTION 1Q65/42	FUEL INJECTION PUMP 1Q65/42	1
38	FA7702014	JOINT	GASKET	1
39	FA9450114	CALE 0,5	SHIM 0.5	1
40	FA9450094	CALE 0,2	SHIM 0.2	1
41	FA9450184	CALE 0,35	SHIM 0.35	1
42	FA8904312	GOUJON M8X20	STUD M8X20	2
43	FA8903805	ECROU HEXAGONAL M8	HEXAGON NUT M8	2
44	FA8901005	RONDELLE RESSORT B8	SPRING WASHER B8	2
45	FA175.078.1	POMPE A CARBURANT	FEED PUMP	1
46	FA8471234	JOINT	GASKET	1
47	FA8902803	GOUJON M6X16	STUD M6X16	2
48	FA8903803	ECROU HEXAGONAL M6	HEXAGON NUT M6	2
49	FA8901103	RONDELLE RESSORT A6	LOCK WASHER A6	2
50	FAG5090184	BOUCHON DE REMPLISSAGE D'HUILE	SCREWED DRAIN PLUG	1
51	FA5120944	VIS HEXAGONALE	HEXAGON SCREW	1
52	FA8901003	RONDELLE RESSORT A6	SPRING WASHER A6	1
53	FA7702034	JOINT	GASKET	1
54	FA1280106	DISPOSITIF DE DECOMPRESSION	COMPRESSION RELEASE	1
55	FA8903104	VIS M5X30	SOCKET CAP SCREW M5X30	2
56	FA8500654	JOINT TORIQUE 32X3	O-RING 32X3	1
57	FA8903129	VIS M8X70	SOCKET CAP SCREW M8X70	2
58	FA8903135	VIS M8X90	SOCKET CAP SCREW M8X90	1
59	FA8903130	VIS M8X80	SOCKET CAP SCREW M8X80	2
60	FA8903131	VIS M6X30	SOCKET CAP SCREW M6X30	2
61	FA5220194	RONDELLE	WASHER	1

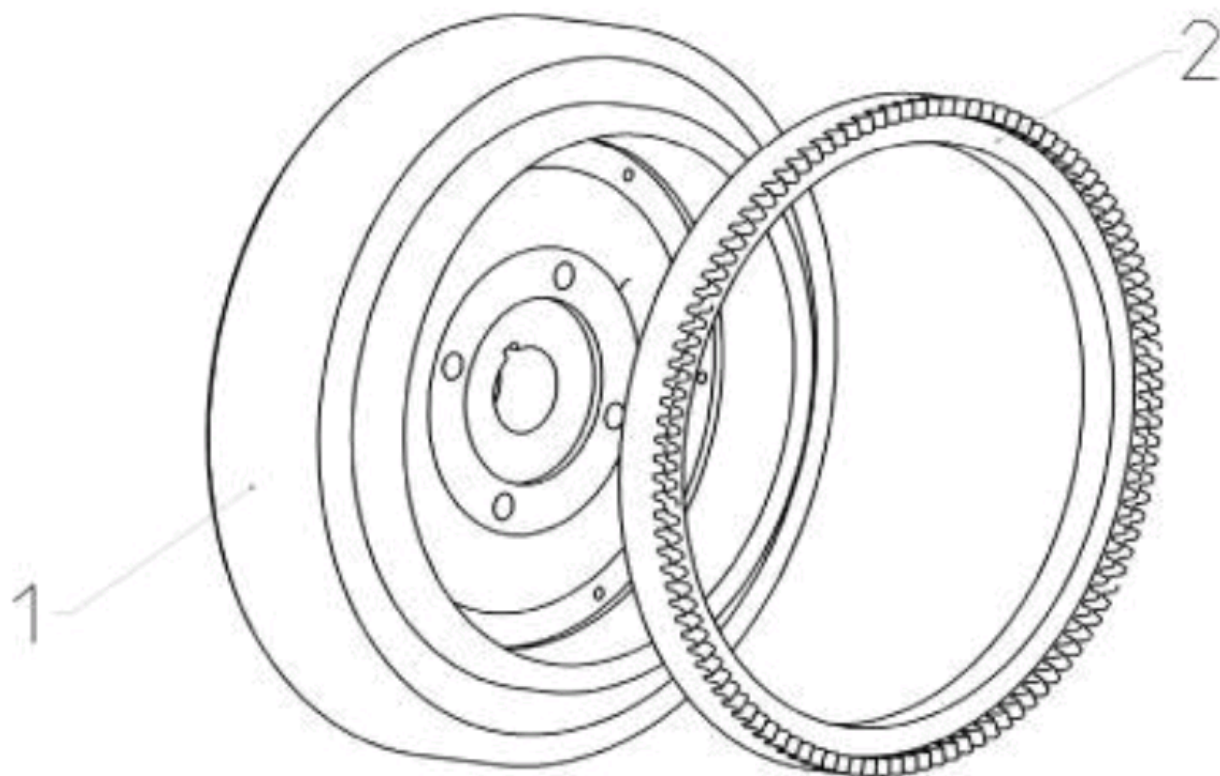


N°	Réf.	Description FR	Description ENG	Qté
1	FAE7220798	ENSEMBLE DE CONTROLE DE VITESSE	SPEED CONTROL ASSEMBLY	1
2	FA4030234	ARBRE EXCENTRIQUE	ECCENTRICT SHAFT	1
3	FA8500044	JOINT TORIQUE 10X2.2	O-RING 10X2.2	1
4	FA8070114	RESSORT DE RETENUE	RETAINING SPRING	1
5	FA6220224	LEVIER DE REGLAGE	ADJUSTING LEVER	1
6	FA9410274	PLAQUE DE VERROUILLAGE	LOCKING PLATE	1
7	FA5130034	VIS DE REGLAGE	ADJUSTING SCREW	1
8	FA5140992	ECROU HEXAGONAL A RESSORT M6	SPRING-STOP HEX NUT M6	1
9	FA8200114	RESSORT CIRCULAIRE	CIRCULAR SPRING	1
10	FA9200094	PLAQUE DE COMMANDE	CONTROL PLATE	1
11	FA9051145	LEVIER	LEVER	1
12	FA8070354	RESSORT DE TORSION	TORSION SPRING	1
13	FA8903805	ECROU HEXAGONAL M8	HEXAGON NUT M8	1
14	FA8906603	RONDELLE CRANTEE 18.4	SERRATED LOCK WASHER 18.4	1
15	FA5551442	RIVET AVEUGLE 3,2X8	BLIND RIVET 3,2X8	1
16	FA890104	BROCHE FILETEE M8X25	THREADED PIN M8X25	1
17	FA8901602	ECROU HEXAGONAL DE 8MM	HEX NUT 8MM	1

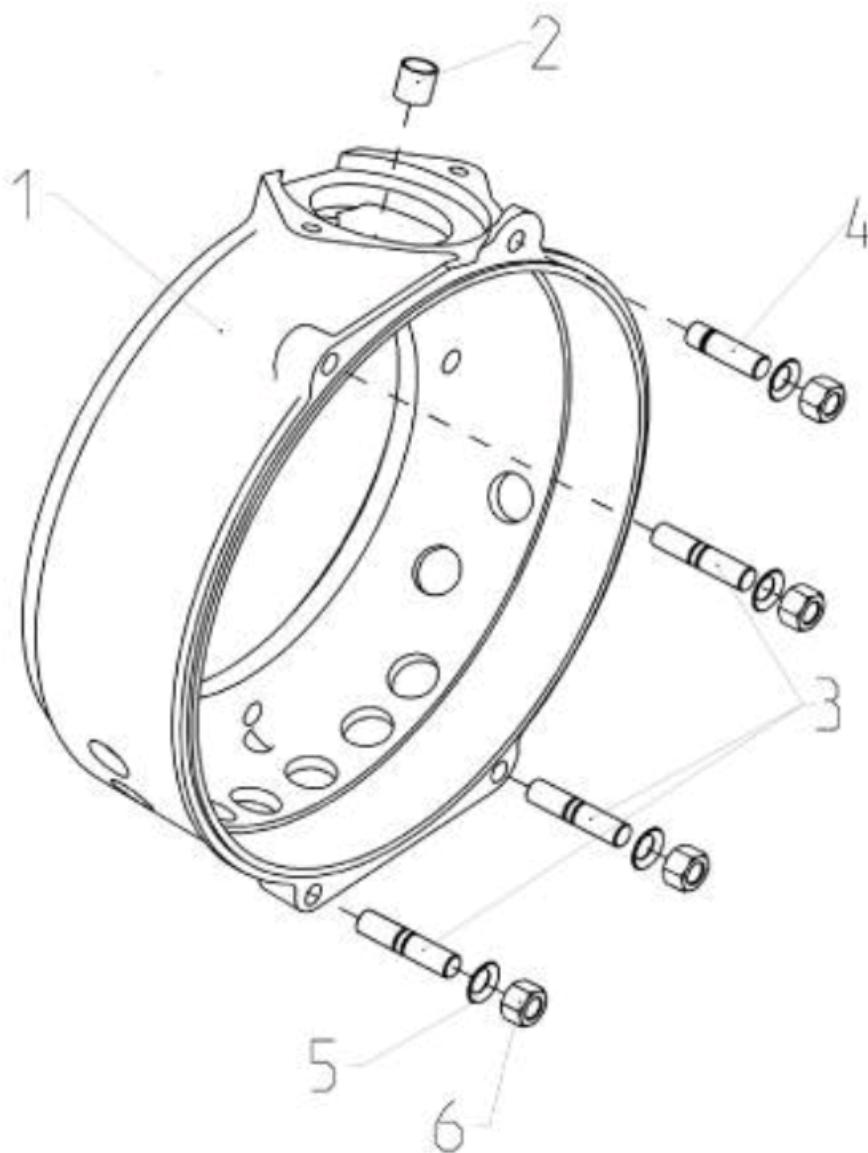
Farymann Diesel



N°	Réf.	Description FR	Description ENG	Qté
1	FA9713215	TUYAU DE PRESSION CARBURANT	FUEL PRESSURE PIPE	1
2	FA9714615	TUYAU CARBURANT	FUEL PIPE	1
3	FA5150864	BAGUE	RING PIECE	2
4	FA9715245	TUYAU DE CARBURANT	FUEL PIPE	1
5	FA5150924	CONNECTEUR	CONNECTOR	1
6	FA5410382	FILTRE A CARBURANT	FUEL FILTER	1
7	FA9238914	SUPPORT	BRACKET	1
8	FA9220772	COLLIER DE SERRAGE 32-50/9-C72	HOSE CLAMP 32-50/9-C72	1
9	FA8903130	VIS A SIX PANS CREUX M8X80	SOCKET CAP SCREW M8X80	1
10	FA4660084	BAGUE	RING PIECE	1
11	FAE9713965	PIECE COMBUSTIBLE	FUEL PIECE	1
12	FA5152044	BAGUE	RING PIECE	1
13	FA5152674	BAGUE	RING PIECE	1
14	FA2570801	ENSEMBLE ELECTROVANNE 12V	SOLENOIDE VALVE 12 V ASSY	1
15	FA5154474	BAGUE	RING PIECE	1
16	FA8500864	JOINT 13.5X18X1.5	GASKET 13.5X18X1.5	3
17	FA8907416	RONDELLE EN CUIVRE A8X12X1.5	COPPER WASHER A8X12X1.5	2
18	FA5151304	BOULON DE BANJO	BANJO BOLT	1
19	FA8907406	RONDELLE EN CUIVRE A8X12X1	COPPER WASHER A8X12X1	5
20	FA8907701	BOULON DE BANJO M8X1	BANJO BOLT M8X1	2
21	FA5153572	BOULON DE BANJO M8	BANJO BOLT M8	2
22	FA9220722	COLLIER DE SERRAGE 8-16/9-C72	HOSE CLAMP 8-16/9-C72	2
23	FA9221282	CLIP A DEUX OREILLES 11-13	2EAR CLIP 11-13	2
24	FA8500674	JOINT	GASKET	3
25	FA5154484	BOULON DE BANJO	BANJO BOLT	1
26	FA9220054	COLLIER DE SERRAGE	PIPE CLAMP	1



N°	Réf.	Description FR	Description ENG	Qté
1	FA7383084	VOLANT	FLYWHEEL	1
2	FA4530184	COURONNE DENTEE	GEAR RING	1



N°	Réf.	Description FR	Description ENG	Qté
1	FA6304274	BRIDE DE RACCORDEMENT	CONNECTION FLANGE	1
2	FA5470702	DOUILLE	BUSHING	1
3	FA8904203	GOUJON M10X25	STUD M10X25	3
4	FA8902832	GOUJON M10X15	STUD M10X15	1
5	FA8901107	RONDELLE DE BLOCAGE A10	LOCK WASHER A10	4
6	FA8908501	ECROU HEXAGONAL M10 SW15	HEX NUT M10 SW15	4