

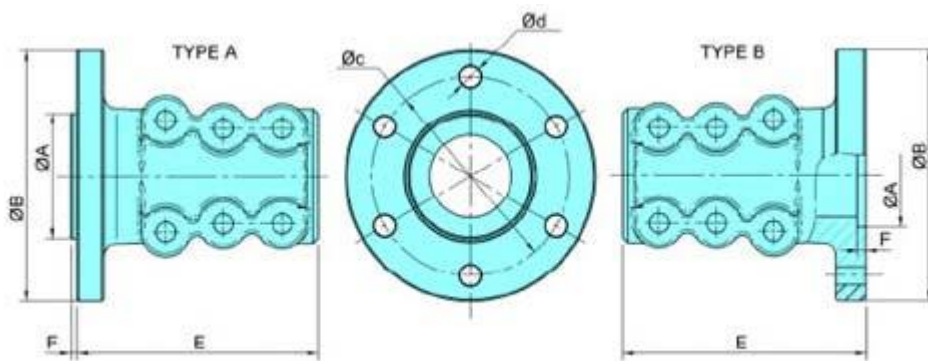
# **CHAPITRE XX**

# **TOURTEAUX D'ACCOUPLLEMENT**

Pages 274 à 276

# TOURTEAUX D'ACCOUPLLEMENT

## TOURTEAUX A PINCE



Dia arbre	Type	Dia A	Dia B	Dia C	Dia D	Inverseur	Type	Référence tourteaux
22	A	63.5	102	82.5	8	Solé diesel	Ronin V SMI-R / SMI-R2	S40022106
22	A	63.5	102	82.5	8	PRM	120 / 150 Delta	S40022106
22	A	63.5	102	82.5	8	ZF Hurth	HBW35 à HBW250 / HBW150 A / V	S40022106
22	A	63.5	102	82.5	8	Technodrive	TMC40 / TMC60	S40022106
22	A	77	91.5	63.5	8	Couach	Couach	S95302635
25	A	33	62	50	8.5	Solé diesel	Ronin III	S40025107
25	A	50	100	78	10.5	Yanmar	KM2-P / M3-P / KBW-10E / KM3A	S40025109
25	B	60	102	80	10.5	Volvo	MS-2A / MS-2A-L	S40025108
25	A	63.5	102	82.5	8	Solé diesel	Ronin V SMI-R / SMI-R2	S40025106
25	A	63.5	102	82.5	8	PRM	120 / 150 Delta	S40025106
25	A	63.5	102	82.5	8	ZF Hurth	HBW35 à HBW250 / HBW150 A / V	S40025106
25	A	63.5	102	82.5	8	Technodrive	TMC40 / TMC60	S40025106
25	A	77	91.5	63.5	8	Couach	Couach	S95302690
30	A	50	100	78	10.5	Yanmar	KM2-P / M3-P / KBW-10E / KM3A	S40030109
30	B	60	102	80	10.5	Volvo	MS-2A / MS-2A-L	S40030107
30	A	63.5	102	82.5	9	Solé Diesel	Ronin V SMI-R / SMI-R2	S40030106
30	A	63.5	102	82.5	9	PRM	120 / 150 Delta	S40030106
30	A	63.5	102	82.5	9	ZF Hurtz	HBW35 à 250 / HBW150A / V HSW250A	S40030106
30	A	63.5	102	82.5	9	Technodrive	TMC40 / TMC60	S40030106
30	A	63.5	102	82.5	9	Volvo	MS-25L / MS-25A	S40030106
30	A	65	120	100	10.5	Yanmar	KBW-20 / 21 / KM-4A / KMH4A	S40030112
30	A	63.5	127	108	11.5	Volvo	MS-4HS-1	S40030108
30	A	63.5	127	108	11.5	ZF Hurtz	HBW360H / HSM450A/V / HSW630A/H/V	S40030108

# TOURTEAUX D'ACCOUPLLEMENT

Dia arbre	Type	Dia A	Dia B	Dia C	Dia D	Inverseur	Type	Référence tourteaux
30	A	63.5	127	108	11.5	Technodrive	TM345A / 545A / 93 / A / 170 / A	S40030108
30	A	63.5	127	108	11.5	PRM	160 / 260	S40030108
30	A	63.5	127	108	11.5	Borg Warner	71 / 72C / V-DRIVE	S40030108
35	B	60	102	80	10.5	Volvo	MS-2A / MS-2A-L	S40035111
35	A	63.5	102	82.5	9	Solé Diesel	Ronin-V SMI-R / SMI-R2	S40035107
35	A	63.5	102	82.5	9	ZF Hurth	120 / 150 Delta	S40035107
35	A	63.5	102	82.5	9	Technodrive	HBW35 à HBW250 / HBW150 A/V	S40035107
35	A	63.5	102	82.5	9	PRM	TMC40 / TMC60	S400.5107
35	A	63.5	102	82.5	9	Volvo	MS-25L / MS-25A	S40035107
35	A	65	120	100	10.5	Yanmar	KBW-20 / 21 / KM-4A / KMH4A	S40035108
35	A	63.5	127	108	11.5	Volvo ZF	MS-4 / MS-45A / HS-1	S40035106
35	A	63.5	127	108	11.5	Hurth	HBW360H / HSM450A/V / HSW630A/H/V	S40035106
35	A	63.5	127	108	11.5	Technodrive	TM345A / 545A / 93 / A / 170 A	S40035106
35	A	63.5	127	108	11.5	PRM	160 / 260	S40035106
35	A	63.5	127	108	11.5	Borg Warner	71 / 72C / V-DRIVE	S40035106
35	A	63.5	130	108	12.5	Yanmar	K-45A	S40035109
40	A	63.5	102	82.5	M10	Solé Diesel	SMI-R	S40040107
40	A	63.5	127	108	11.5	Volvo	MS-4 / MS-45A / HS-1 / HS63AE	S40040106
40	A	63.5	127	108	11.5	ZF Hurth	HBW360H / HSM450A/V / HSW630A/H/V	S40040106
40	A	63.5	127	108	11.5	Technodrive	TM345A / 545A 93 / A / 170 / A	S40040106
40	A	63.5	127	108	11.5	PRM	160 / 260	S40040106
40	A	63.5	127	108	11.5	Borg Warner	71 / 72C / V-DRIVE	S40040106
40	A	63.5	130	108	12.5	Yanmar	K-45A	S40040108