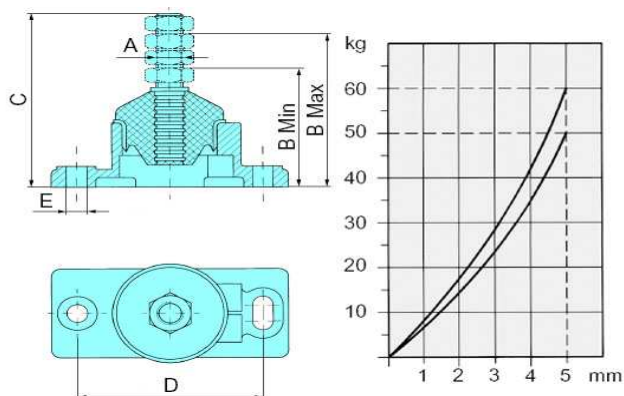


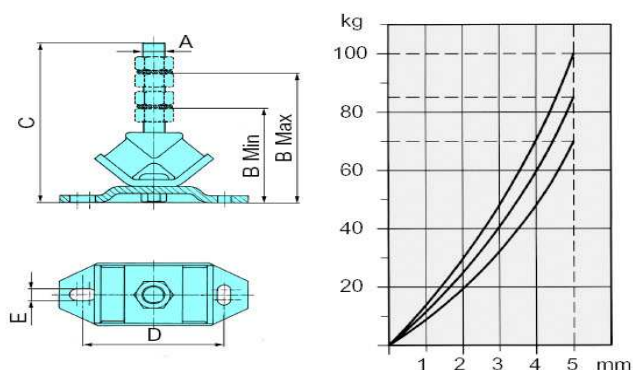
SUPPORTS MOTEURS

TYPE A



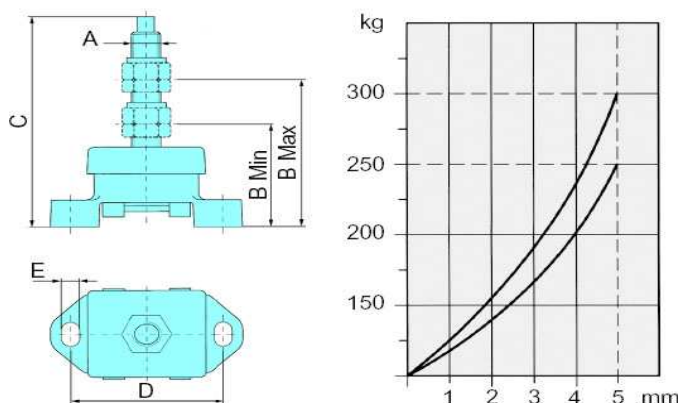
Charge	Dureté	A	B Min.	B Max.	C	D	E	Référence
50 KG	50 SH A	M14 x 1.5	75	86	108	98	11	S.61631100
60 KG	60 SH A	M16 x 1.5	75	100	125	98	11	S.61651000

TYPE B



Charge	Dureté	A	B Min.	B Max.	C	D	E	Référence
70 KG	40 SH A	M16 x 1.5	93	115	136	127	13	S.61670000
85 KG	45 SH A	M16 x 1.5	93	115	136	127	13	S.61653000
100 KG	63 SH A	M16 x 1.5	93	115	136	127	13	S.61685000

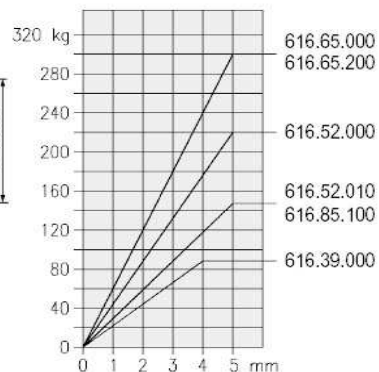
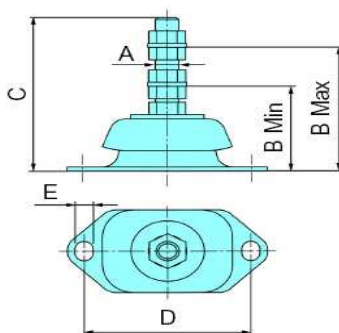
TYPE C



Charge	Dureté	A	B Min.	B Max.	C	D	E	Référence
250 KG	65 SH A	3/4UNF	80	115	164	101	12	S.61690000
300 KG	75 SH A	3/4UNF	80	115	164	101	12	S.61691000

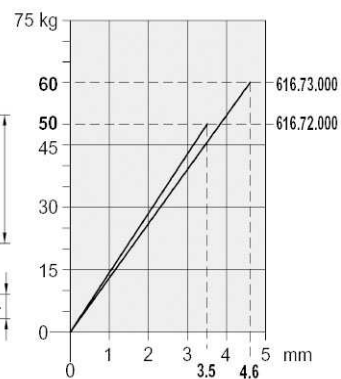
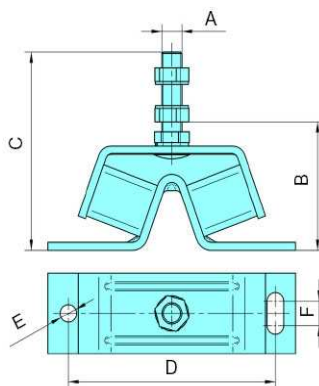
SUPPORTS MOTEURS

TYPE D



Charge	Dureté	A	B Min.	B Max.	C	D	E	Référence
90 KG	60 SH A	M14 x 1.5	75	86	108	98	11	S.61639000
225 KG	55 SH A	M16 x 1.5	65	80	100	140	13	S.61652000
150 KG	45 SH A	M16 x 1.5	65	80	100	140	13	S.61652010
300 KG	65 SH A	M16	65	80	100	140	13	S.61665000
500 KG	55 SH A	M20				182		S.61698000

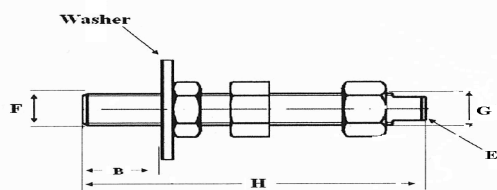
TYPE C



Charge	Dureté	A	B Min.	B Max.	C	D	E	F	Référence
75 KG	50 SH A	16X150	90	105	145	175	13	18	S.61672000
100 KG	60 SH A	16X150	90	105	145	175	13	18	S.61673000
150 KG	70 SH A	16X150	90	105	145	175	13	18	S.61675000

BOULON DE SILENTS BLOCS

TYPE D

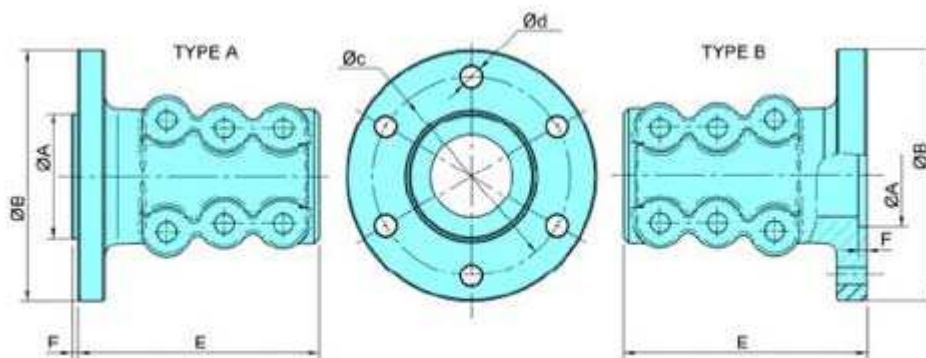


IV.8004	H : 130	E : M20	F : M20	B : 30	G : ALLEN 10	Washer : 76x21x5	Ø : M-20
IV8003	H : 110	E : M16	F : M16	B : 27	G : D.A.F. 10	Washer : 57x17x3	Ø : M-16
IV8002	H : 110	E : M16	F : M12	B : 27	G : D.A.F. 10	Washer : 57x17x3	Ø : M-16
IV8001	H : 100	E : M12	F : M12	B : 20	G : D.A.F. 8	Washer : 38x12x2	Ø : M-12

SILENTS BLOCS

TOURTEAUX D'ACCOUPLLEMENT

TOURTEAUX A PINCE



Dia arbre	Type	Dia A	Dia B	Dia C	Dia d	Inverseur	Type	Référence Tourteaux
22	A	63.5	102	82.5	8	Solé diesel	Ronin V SMI-R / SMI-R2	S.40022106
22	A	63.5	102	82.5	8	PRM	120 / 150 Delta	S.40022106
22	A	63.5	102	82.5	8	ZF Hurth	HBW35 à HBW250 / HBW150 A / V	S.40022106
22	A	63.5	102	82.5	8	Technodrive	TMC40 / TMC60	S.40022106
22	A	77	91.5	63.5	8	Couach	Couach	S.95302635
25	A	33	62	50	8.5	Solé diesel	Ronin III	S.40025107
25	A	50	100	78	10.5	Yanmar	KM2-P / M3-P / KBW-10E / KM3A	S.40025109
25	B	60	102	80	10.5	Volvo	MS-2A / MS-2A-L	S.40025108
25	A	63.5	102	82.5	8	Solé diesel	Ronin-V SMI-R / SMI-R2	S.40025106
25	A	63.5	102	82.5	8	PRM	120 / 150 Delta	S.40025106
25	A	63.5	102	82.5	8	ZF Hurth	HBW35 à HBW250 / HBW150 A / V	S.40025106
25	A	63.5	102	82.5	8	Technodrive	TMC40 / TMC60	S.40025106
25	A	77	91.5	63.5	8	Couach	Couach	S.95302690
30	A	50	100	78	10.5	Yanmar	KM2-P / M3-P / KBW-10E / KM3A	S.40030109
30	B	60	102	80	10.5	Volvo Solé diesel	MS-2A / MS-2A-L	S.40030107
30	A	63.5	102	82.5	9	PRM	Ronin V SMI-R / SMI-R2	S.40030106
30	A	63.5	102	82.5	9	ZF Hurth	120 / 150 Delta	S.40030106
30	A	63.5	102	82.5	9	Technodrive	HBW35 à 250 / HBW150 A / V HSW250A	S.40030106
30	A	63.5	102	82.5	9	Volvo	TMC40 / TMC60	S.40030106
30	A	63.5	102	82.5	9	Volvo	MS-25L / MS-25A	S.40030106
30	A	65	120	100	10.5	Yanmar	KBW-20 / 21 / KM-4A / KMH4A	S.40030112
30	A	63.5	127	108	11.5	Volvo	MS-4HS-1	S.40030108
30	A	63.5	127	108	11.5	ZF Hurth	HBW360H / HSM450A/V / HSW630A/H/V	S.40030108

TOURTEAUX D'ACCOUPLLEMENT

Dia arbre	Type	Dia A	Dia B	Dia C	Dia d	Inverseur	Type	Référence Tourteaux
30	A	63.5	127	108	11.5	Technodrive	TM345A / 545A / 93 / A / 170 / A	S.40030108
30	A	63.5	127	108	11.5	PRM	160 / 260	S.40030108
30	A	63.5	127	108	11.5	Borg Warner	71 / 72C / V-DRIVE	S.40030108
35	B	60	102	80	10.5	Volvo	MS-2A / MS-2A-L	S.40035111
35	A	63.5	102	82.5	9	Solé diesel	Ronin-V SMI-R / SMI-R2	S.40035107
35	A	63.5	102	82.5	9	ZF Hurth	120 / 150 Delta	S.40035107
35	A	63.5	102	82.5	9	Technodrive	HBW35 à HBW250 / HBW150 A / V	S.40035107
35	A	63.5	102	82.5	9	PRM	TMC40 / TMC60	S.40035107
35	A	63.5	102	82.5	9	Volvo	MS-25L / MS-25A	S.40035107
35	A	65	120	100	10.5	Yanmar	KBW-20 / 21 / KM-4A / KMH4A	S.40035108
35	A	63.5	127	108	11.5	Volvo ZF	MS-4 / MS-45A / HS-1	S.40035106
35	A	63.5	127	108	11.5	Hurth	HBW360H / HSM450A/V / HSW630A/H/V	S.40035106
35	A	63.5	127	108	11.5	Technodrive	TM345A / 545A / 93 / A / 170 / A	S.40035106
35	A	63.5	127	108	11.5	PRM	160 / 260	S.40035106
35	A	63.5	127	108	11.5	Borg Warner	71 / 72C / V-DRIVE	S.40035106
35	A	63.5	130	108	12.5	Yanmar	K-45A	S.40035109
40	A	63.5	102	82.5	M10	Solé diesel	SMI-R	S.40040107
40	A	63.5	127	108	11.5	Volvo	MS-4 / MS-45A / HS-1 / HS63AE	S.40040106
40	A	63.5	127	108	11.5	ZF Hurth	HBW360H / HSM450A/V / HSW630A/H/V	S.40040106
40	A	63.5	127	108	11.5	Technodrive	TM345A / 545A / 93 / A / 170 / A	S.40040106
40	A	63.5	127	108	11.5	PRM	160 / 260	S.40040106
40	A	63.5	127	108	11.5	Borg Warner	71 / 72C / V-DRIVE	S.40040106
40	A	63.5	130	108	12.5	Yanmar	K-45A	S.40040108

NOTES